

Which state of matter has the highest kinetic energy?  
Solid, Liquid or Gas



Which state of matter has the lowest kinetic energy?  
Solid, Liquid or Gas



Give a simple definition of  
Sublimation



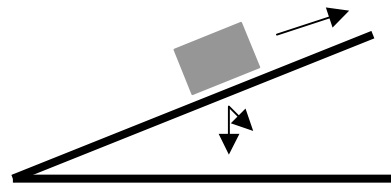
Give a simple definition of  
Diffusion



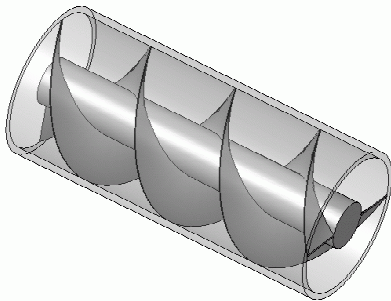
Name the 6 simple machines



What is this simple machine?



What is this simple machine?



What is this simple machine?



In physics, a screw is defined as?



In physics, a wedge is defined as?



Solid

Gas

The movement of particles from high concentration to low concentration.

Changing directly from solid to gas.

Inclined plane

Inclined plane  
Screw  
Pulley  
Lever  
Wedge  
Wheel and Axle

Screw

Screw

A pair of inclined planes set back-to-back.

An inclined plane wrapped around a center pole.